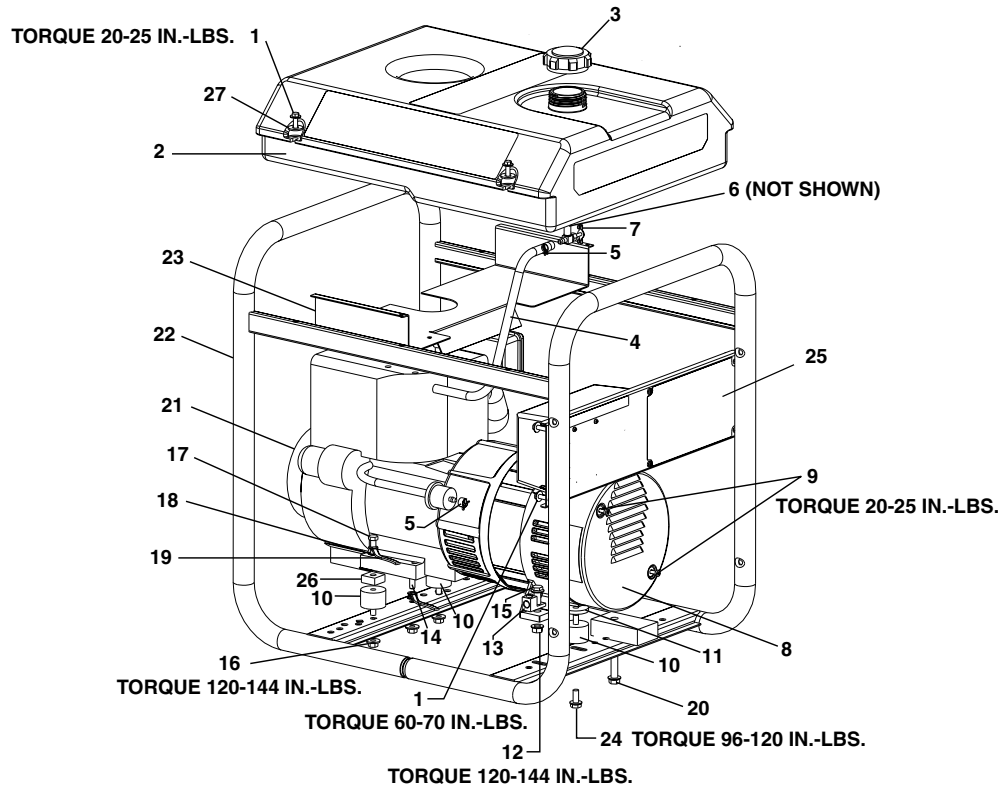


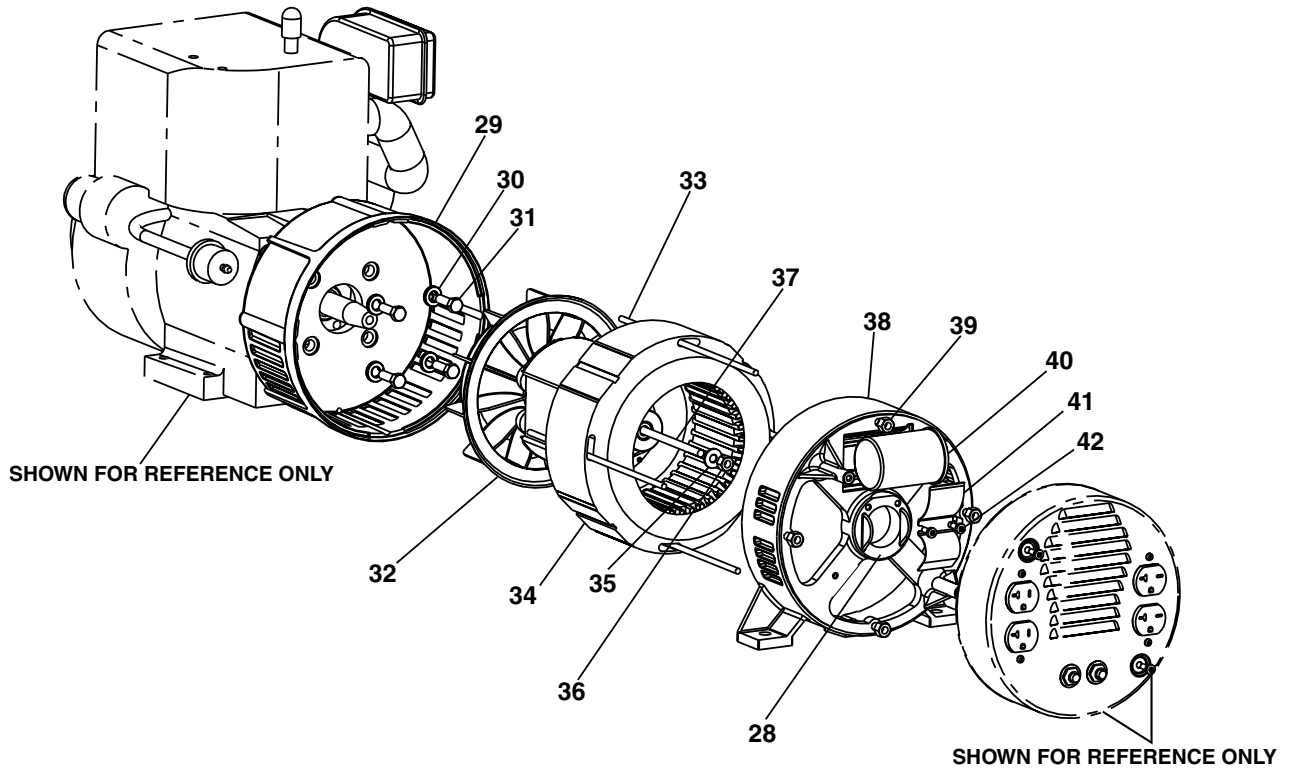
GT5250-WK-1 & GT5250-2



KEY

<u>KEY NO.</u>	<u>DESCRIPTION</u>	<u>PART NUMBER</u>
1	FUEL TANK SCREWS	91895680
2	FUEL TANK	GS-0795
3	FUEL CAP	GS-0443
4	FUEL HOSE	GS-0225
5	FUEL LINE CLAMP	GS-0227
6	DRAINCOCK GROMMET	GS-0446
7	TANK DRAINCOCK	GS-0437
8	ENDCOVER	GS-0077
9	SCREW #10-24 x 9/16	SSF-553-1
10	ISOLATOR	GS-0033
11	WASHER 3/8	SSN-1014-ZN
12	LOCK NUT 3/8-16	SSF-8111-ZN
13	GROUND LUG	GS-0117
14	SCREW 5/16-18 x 3/4	SS-12-CD
15	SCREW 3/8-16 x 1	SSF-3140-ZN
16	LOCK NUT 5/16-18	SSF-8150
17	SCREW, HEX HEAD 5/16-18	SSF-999-1
18	LOCK WASHER	SSN-1619-ZN
19	GROUND STRAP	GS-0118
20	HEX SCREW 3/8-16X2.5	SSF-628
21	ENGINE (model #HM100-159409P)	-
22	FRAME ASSEMBLY	GS-0749
23	HEAT SHIELD	GS-0432-1
24	SCREW 5/16-18 X .50	SSF-549
25	PANEL ASSEMBLY	GS-0753
26	SPACER	GS-0746
27	WASHER .8750D .375 ID .083 THK	SSN-632

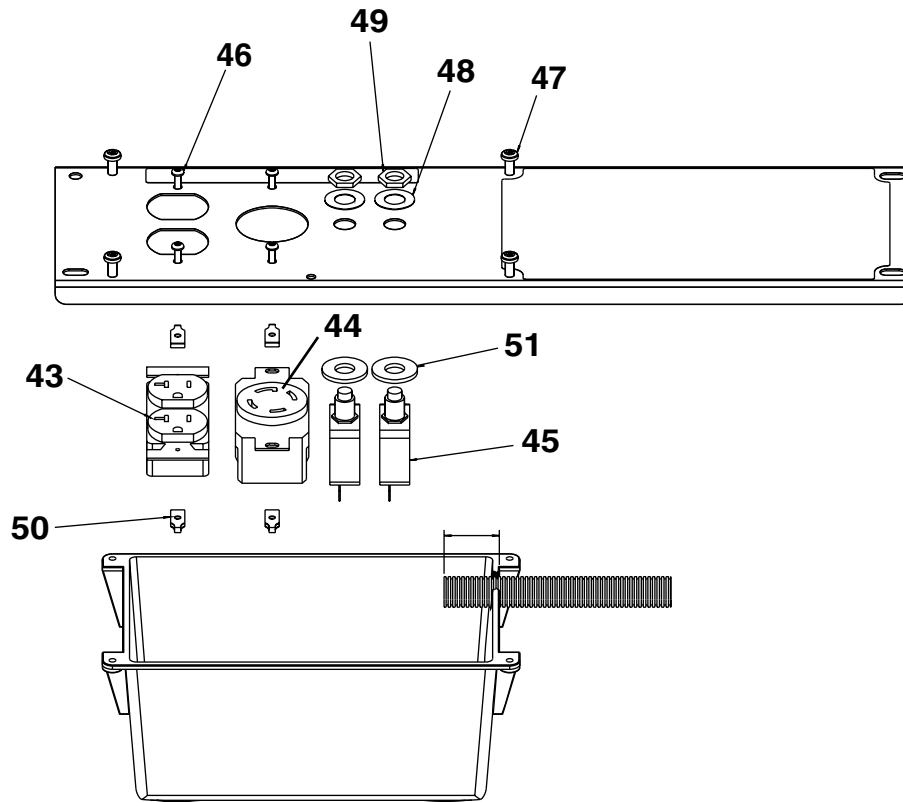
GT5250-WK-1 & GT5250-2 (cont'd)



KEY NO.	DESCRIPTION	PART NUMBER
• 28	O-RING	GS-0862
29	DRIVE END ADAPTER	D20980
30	LOCK WASHER 3/8	SS-1503-CD
31	CAP SCREW 5/16 - 24X1	SSF-616-ZN
32	ROTOR ASSEMBLY	GS-0883
33	STATOR THRU BOLT	GS-0110
34	STATOR ASSEMBLY	GS-0884
35	WASHER 11/16OD x 11/32	SS-6506-CD
36	NUT 5/16-24	SSF-576
37	ROTOR THRU BOLT	GS-0091-1
38	BEARING SUPPORT	GS-0861
39	HEX NUT 1/4-20	SSF-575
40	CAPACITOR	GS-0873
41	CAPACITOR BRACKET	GS-0595
42	SCREW 10 - 24 x 9/16	SSF-553-1
	<u>ITEM NOT SHOWN</u>	
	*DIODES	GS-0871

- * Refer to Page 4 in the Generator Repair Section for further *diode* information.
- O-ring is included in Bearing Support (#38).

GT5250-WK-1 & GT5250-2 (cont'd)



KEY

NO.	DESCRIPTION	PART NUMBER
43	120V/20A DUPLEX RECEPTACLE (20A)	GS-0019
44	4 PRONG TWISTLOCK	GS-0445
45	CIRCUIT BREAKER 125/250V/20A	GS-0025
46	SCREW #6 - 32 x .5 TORX	SSF-583
47	SCREW, 10 - 9 X .50 PLASTITE	SSF-3156
48	SWITCH FACE PLATE RESET	GS-0207
49	NUT, HEX JAM 7/16	SSF-595
50	SPEED NUT #6 - 32	SSF-584
51	WASHER 3/8	SS-1525-CD

Not Shown

MG-GENMAN-F	Operators Manual
GEN-GT5250-2	Parts Manual
GS-0496	Engine Manual