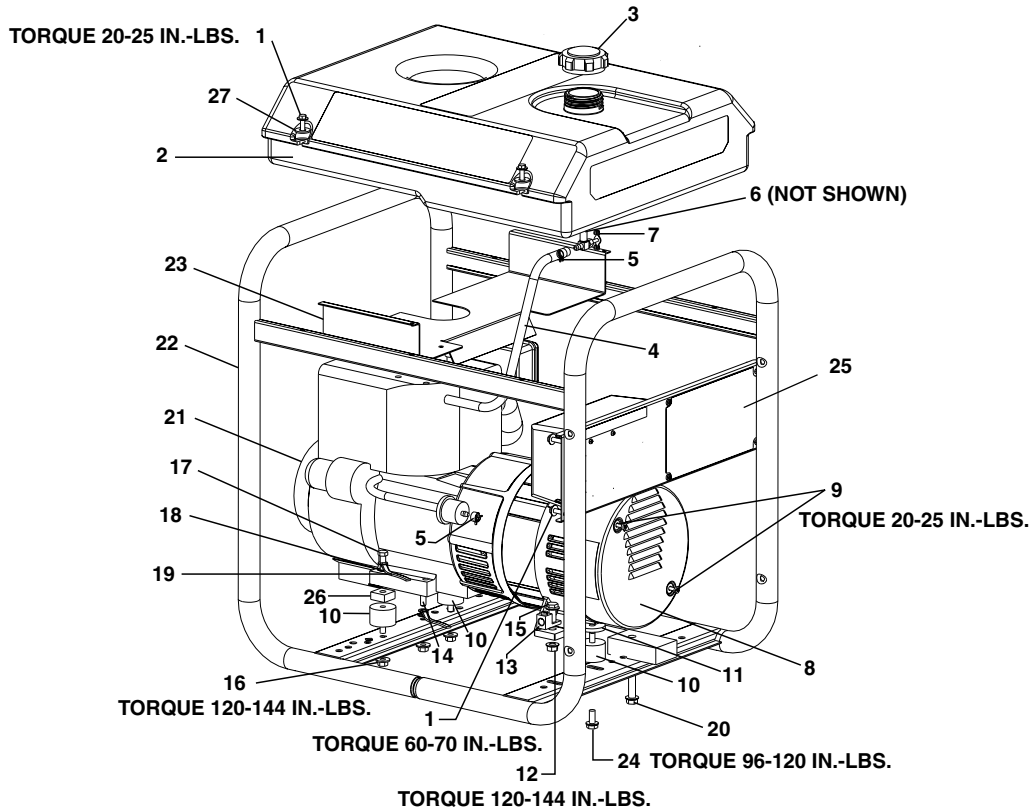


# GT5000C



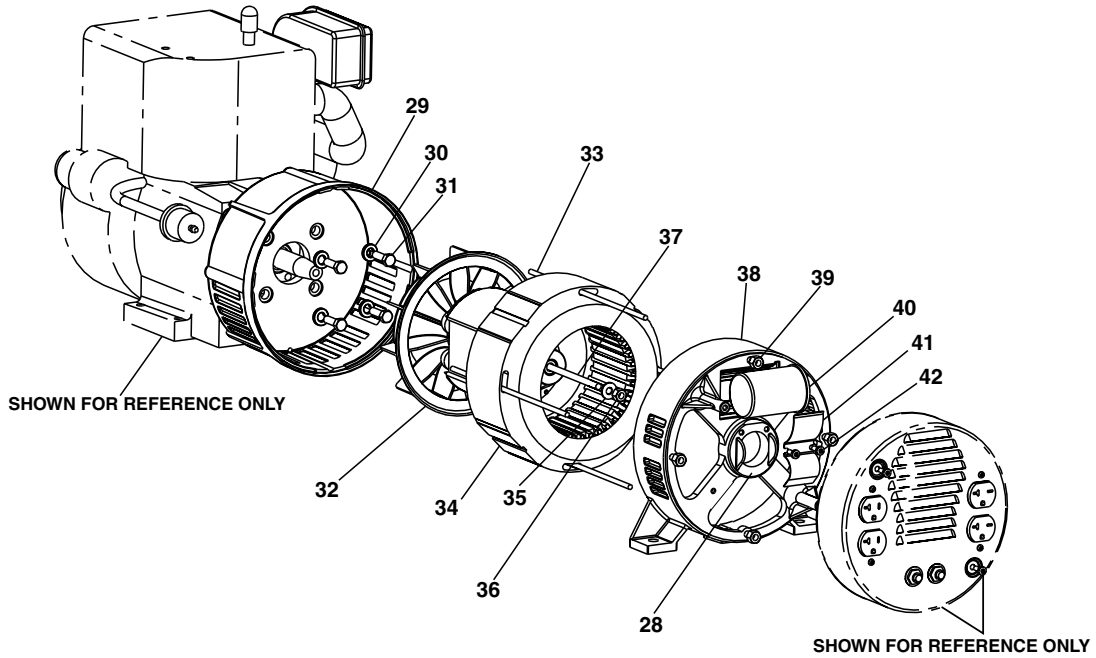
## KEY NO.

## DESCRIPTION

## PART NUMBER

KEY NO.	DESCRIPTION	PART NUMBER
1	FUEL TANK SCREWS	91895680
2	FUEL TANK	GS-0795
3	FUEL CAP	GS-0443
4	FUEL HOSE	GS-0225
5	FUEL LINE CLAMP	GS-0227
6	DRAINCOCK GROMMET	GS-0446
7	TANK DRAINCOCK	GS-0437
8	ENDCOVER	GS-0077
9	SCREW #10-24 x 9/16	SSF-553-1
10	ISOLATOR	GS-0033
11	WASHER 3/8	SSN-1014-ZN
12	LOCK NUT 3/8-16	SSF-8111-ZN
13	GROUND LUG	GS-0117
14	SCREW 5/16-18 x 3/4	SS-12-CD
15	SCREW 3/8-16 x 1	SSF-3140-ZN
16	LOCK NUT 5/16-18	SSF-8150
17	SCREW, HEX HEAD 5/16-18	SSF-999-1
18	LOCK WASHER	SSN-1619-ZN
19	GROUND STRAP	GS-0118
20	HEX SCREW 3/8-16X2.5	SSF-628
21	ENGINE (model #HM100-159409P)	-
22	FRAME ASSEMBLY	GS-0749
23	HEAT SHIELD	GS-0432-1
24	SCREW 5/16-18 X .50	SSF-549
26	SPACER	GS-0746
27	WASHER .8750D .375 ID .083 THK	SSN-632

## GT5000C (cont'd)



**KEY  
NO.**

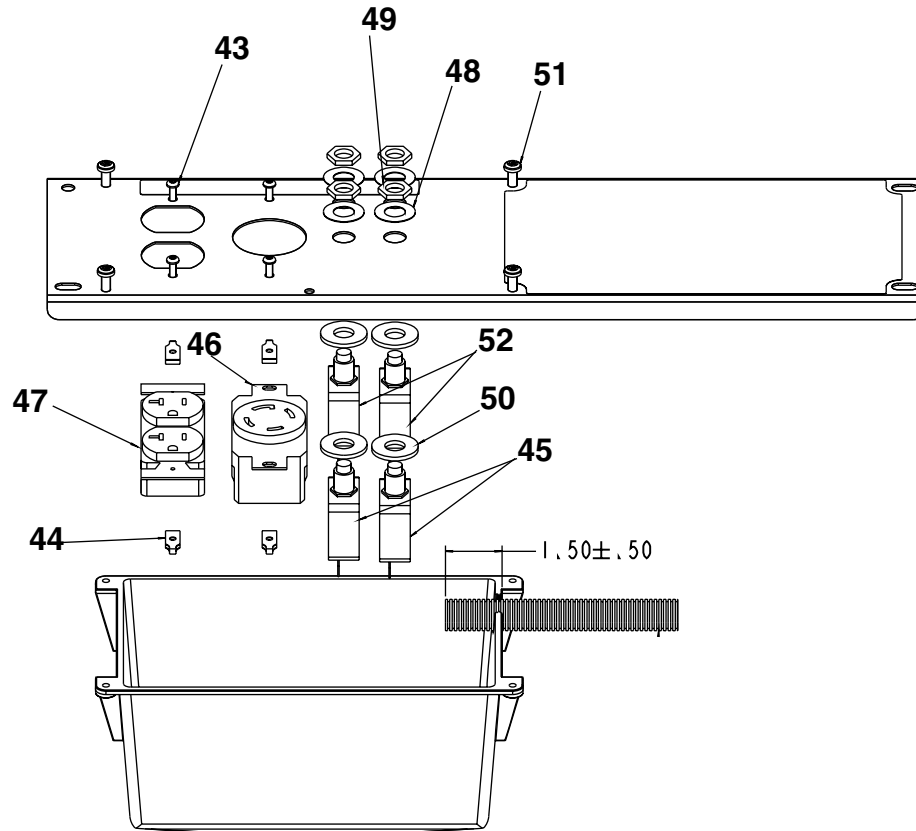
<b>NO.</b>	<b>DESCRIPTION</b>	<b>PART NUMBER</b>
• 28	O-RING	GS-0862
29	DRIVE END ADAPTER	D20980
30	LOCK WASHER 3/8	SS-1503-CD
31	CAP SCREW 5/16 - 24X1	SSF-616-ZN
32	ROTOR ASSEMBLY	GS-0588
33	STATOR THRU BOLT	GS-0110
34	STATOR ASSEMBLY	GS-0589
35	WASHER 11/16OD x 11/32	SS-6506-CD
36	NUT 5/16-24	SSF-576
37	ROTOR THRU BOLT	GS-0091-1
38	BEARING SUPPORT	GS-0861
39	HEX NUT 1/4-20	SSF-575
40	CAPACITOR	GS-0592
41	CAPACITOR BRACKET	GS-0595
42	SCREW 10 - 24 x 9/16	SSF-553-1

**ITEM NOT SHOWN**

\*DIODES GS-0082

- \* Refer to Page 4 in the Generator Repair Section for further *diode* information.
- O-ring is included in Bearing Support (#38).

## GT5000C (cont'd)



**KEY**  
**NO.**

**DESCRIPTION**

**PART NUMBER**

43	SCREW #6 - 32 x .5 TORX	SSF-583
44	SPEED NUT #6 - 32	SSF-584
45	CIRCUIT BREAKER 20A	GS-0025
46	RECEPTACLE 4 PRONG	GS-0445
47	RECEPTACLE DUPLEX	GS-0804
48	SWITCH FACE PLATE RESET	GS-0207
49	NUT, HEX JAM 7/16	SSF-595
50	WASHER 3/8	SS-1525-CD
51	SCREW, 10 - 9 X .50 PLASTITE	SSF-3156
52	CIRCUIT BREAKER 15A	GS-0024

***Not Shown***

MG-GENMAN-F	Operators Manual
GEN-GT5000C	Parts Manual
GS-0496	Engine Manual