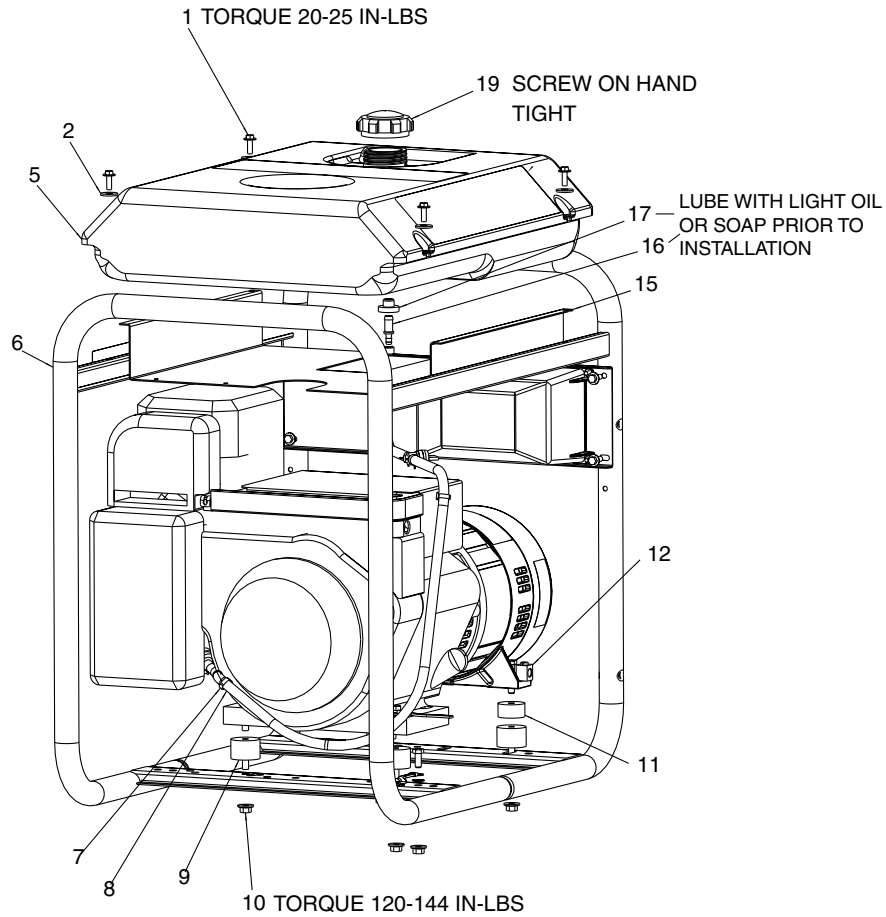


GBVF5000-1



**KEY
NO.**

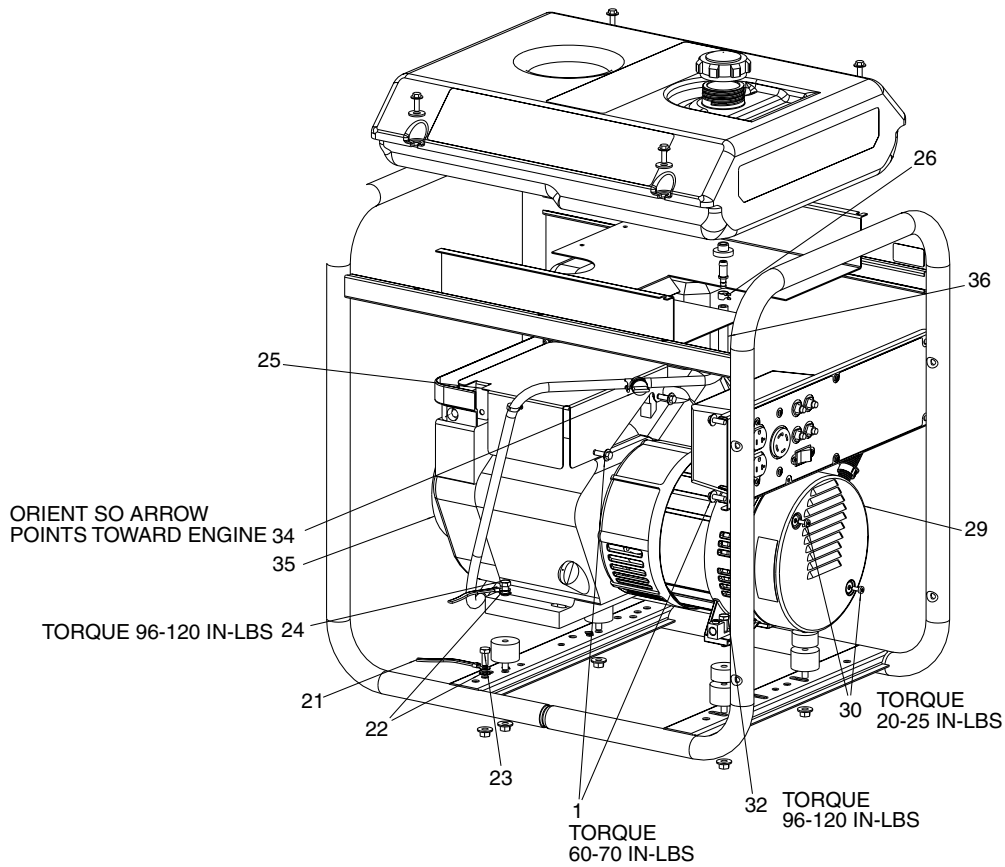
DESCRIPTION

PART NUMBER

1	SCREWS 1/4"-20 x .75	91895680
2	WASHER .8750D .375 ID .083 THK	SSN-632
5	FUEL TANK	GS-0795
6	FRAME ASSEMBLY	GS-0823
7	CLIP, SNAP IN	GS-0763
8	FUEL HOSE	GS-0225
9	ISOLATOR	GS-0033
10	LOCK NUT 5/16-18	SSF-8150
11	SPACER	GS-0492
12	GROUND LUG	GS-0117
15	HEAT SHIELD	GS-0675
16	TANK DRAINCOCK	GS-0456
17	DRAINCOCK GROMMET	GS-0446
19	FUEL CAP	GS-0443

Rev. September 00

GBVF5000-1 (cont'd)



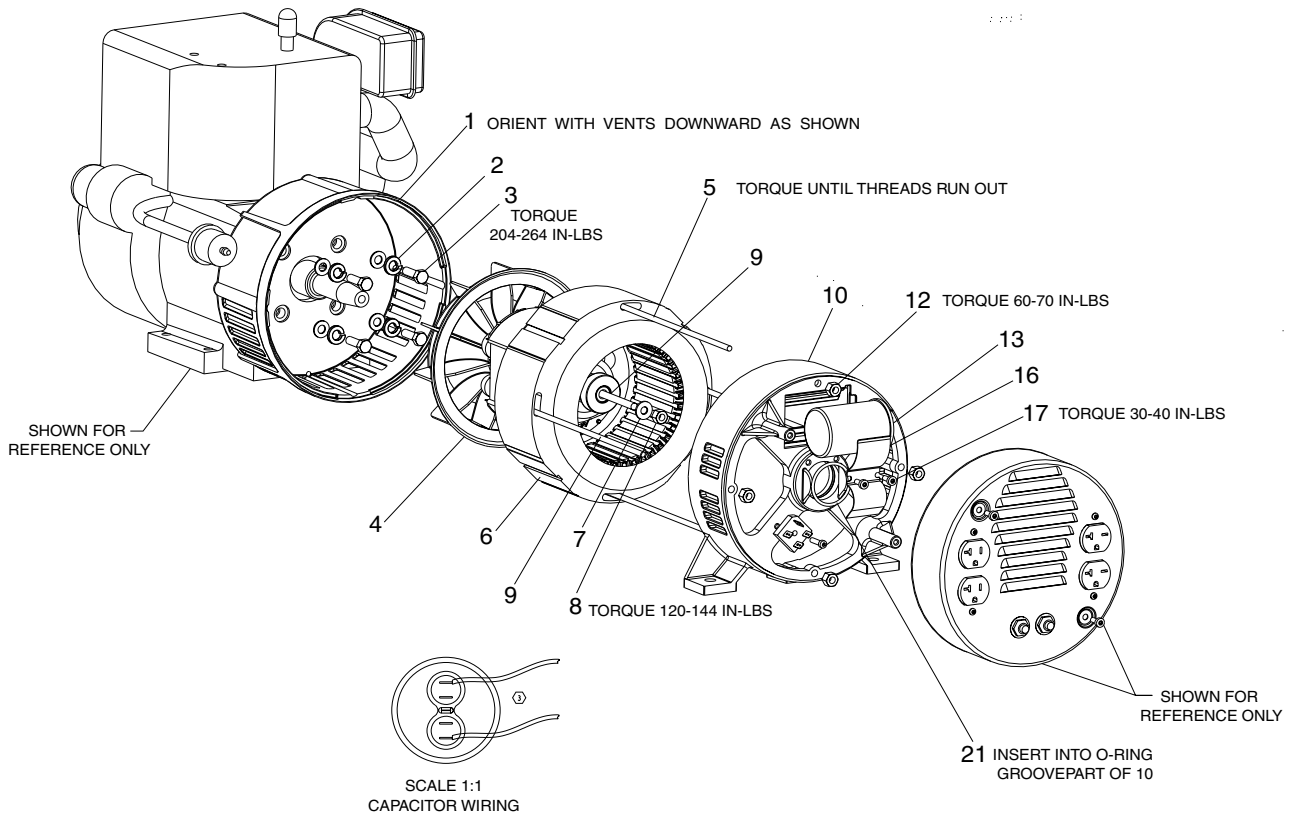
**KEY
NO.**

DESCRIPTION

PART NUMBER

1	SCREWS 1/4"-20 x .75	91895680
21	GROUND STRAP	GS-0118
22	LOCK WASHER	SSN-1619-ZN
23	SCREW 5/16-18 x 3/4	SS-12-CD
24	SCREW, HEX HEAD 5/16-18 X 1.25	SSF-605
25	ENGINE COVER	GS-0208
26	FUEL LINE CLAMP	GS-0227
29	ENDCOVER	GS-0077
30	SCREW #10-24 x 9/16	SSF-553-1
32	SCREW 5/16-18	95829230
34	FUEL SHUT-OFF VALVE	GS-0222
35	ENGINE (model #185432-0271-E1)	GS-0854
36	FUEL HOSE	GS-0225

GBVF5000-1 (cont'd)

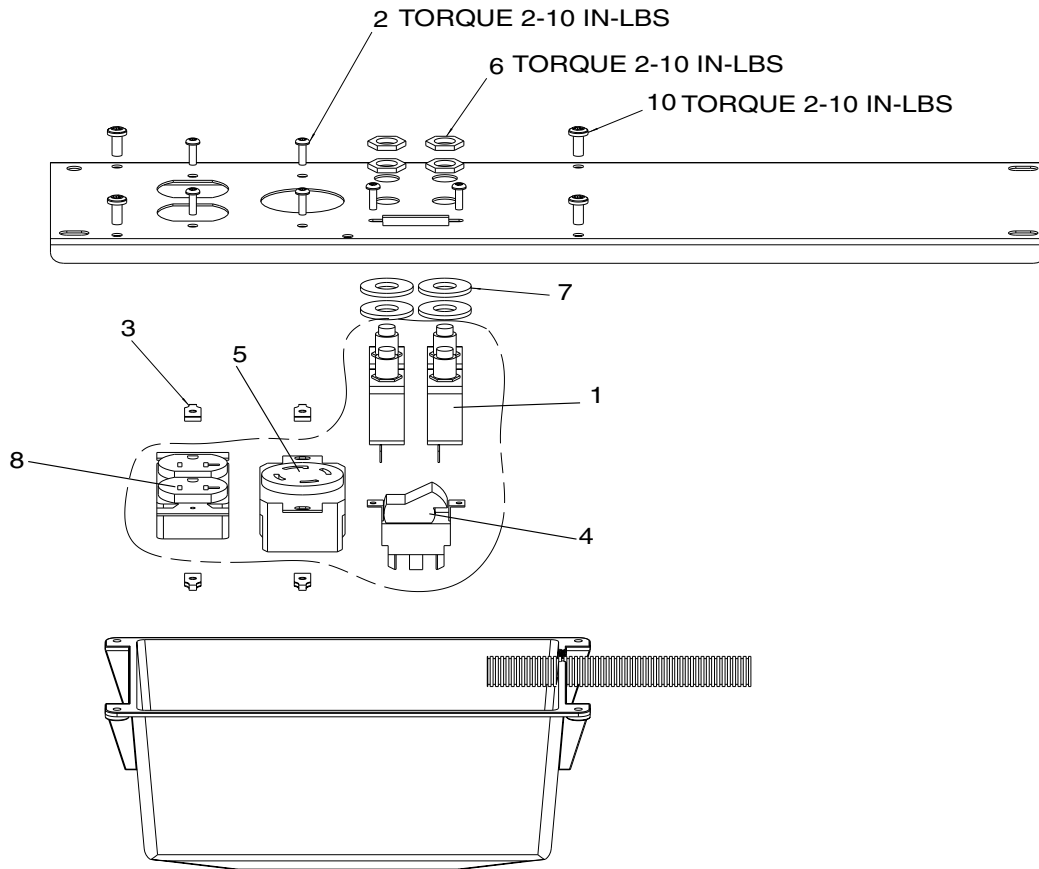


KEY NO.	DESCRIPTION	PART NUMBER
1	DRIVE END ADAPTER	GS-0076
2	SPLIT WASHER 3/8	SSN-619
3	SCREW 3/8-16 X1	SSF-577
4	ROTOR ASSEMBLY	GS-0883
5	STATOR THRU BOLT	GS-0110
6	STATOR ASSEMBLY	GS-0884
7	WASHER 11/16OD x 11/32	SS-6506-CD
8	NUT 5/16-24	SSF-576
9	ROTOR THRU BOLT	GS-0091-1
10	BEARING SUPPORT	GS-0861
12	HEX NUT 1/4-20	SSF-575
13	CAPACITOR	GS-0873
16	CAPACITOR BRACKET	GS-0595
17	SCREW 10 - 24 x 9/16	SSF-553-1
21	O-RING	GS-0862
	<u>ITEM NOT SHOWN</u>	
	*DIODES	GS-0871

*Refer to Page 4 in the Generator Repair Section for further **diode** information.

Rev. September 00

GBVF5000-1 (cont'd)



KEY

NO.	DESCRIPTION	PART NUMBER
1	CIRCUIT BREAKER 125/250V/20A	GS-0025
2	SCREW #6 - 32 x .5 TORX	SSF-583
3	SPEED NUT #6 - 32	SSF-584
4	FULL POWER SWITCH	GS-0045
5	4 PRONG TWISTLOCK	GS-0445
6	NUT, HEX JAM 7/16	SSF-595
7	WASHER 3/8	SS-1525-CD
8	120V/20A DUPLEX RECEPTACLE (20A)	GS-0019
10	SCREW, 10 - 9 X .50 PLASTITE	SSF-3156

Not Shown

MG-GENMAN-F	Operators Manual
GEN-VF5000-1	Parts Manual
GS-0114	Engine Manual