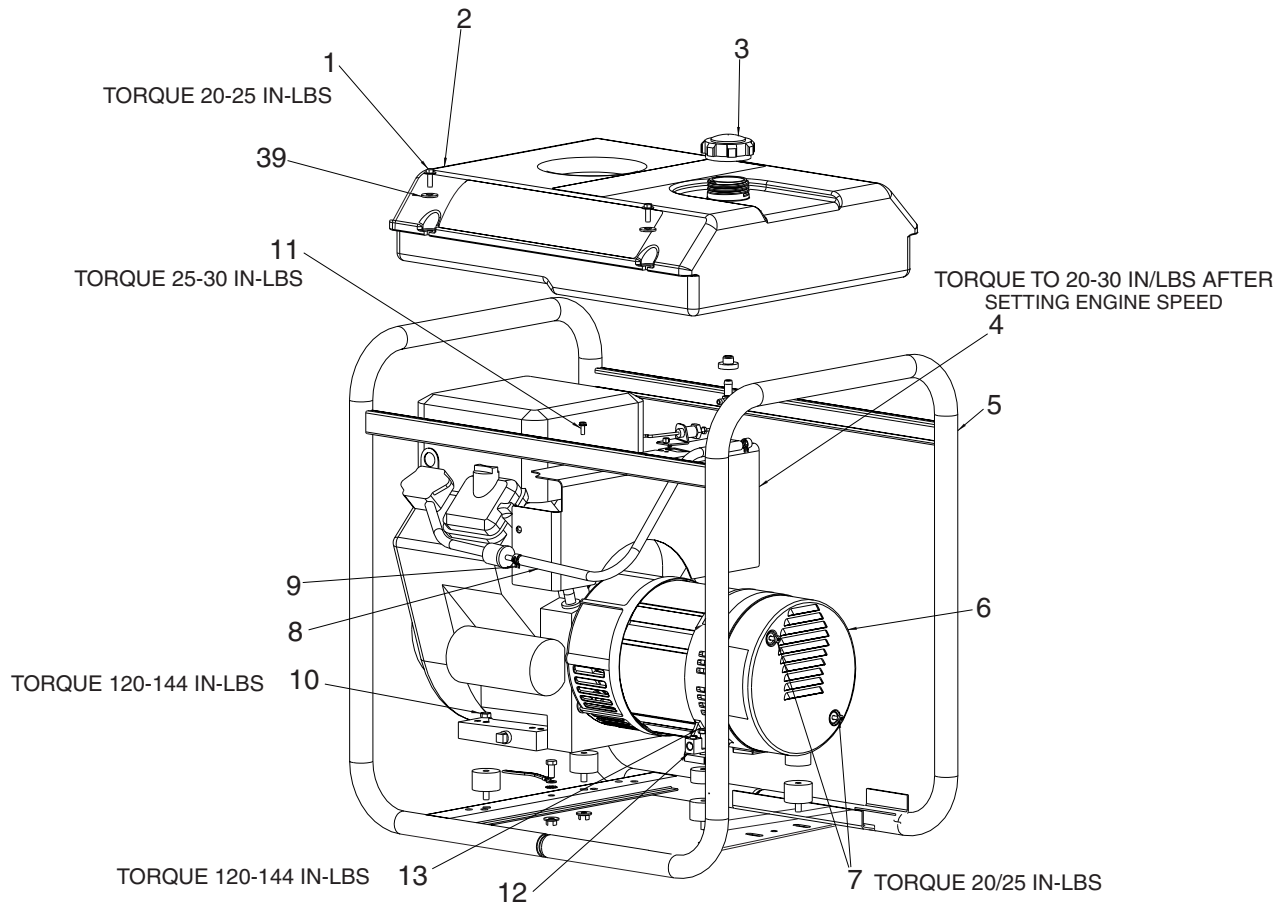


GBV4600

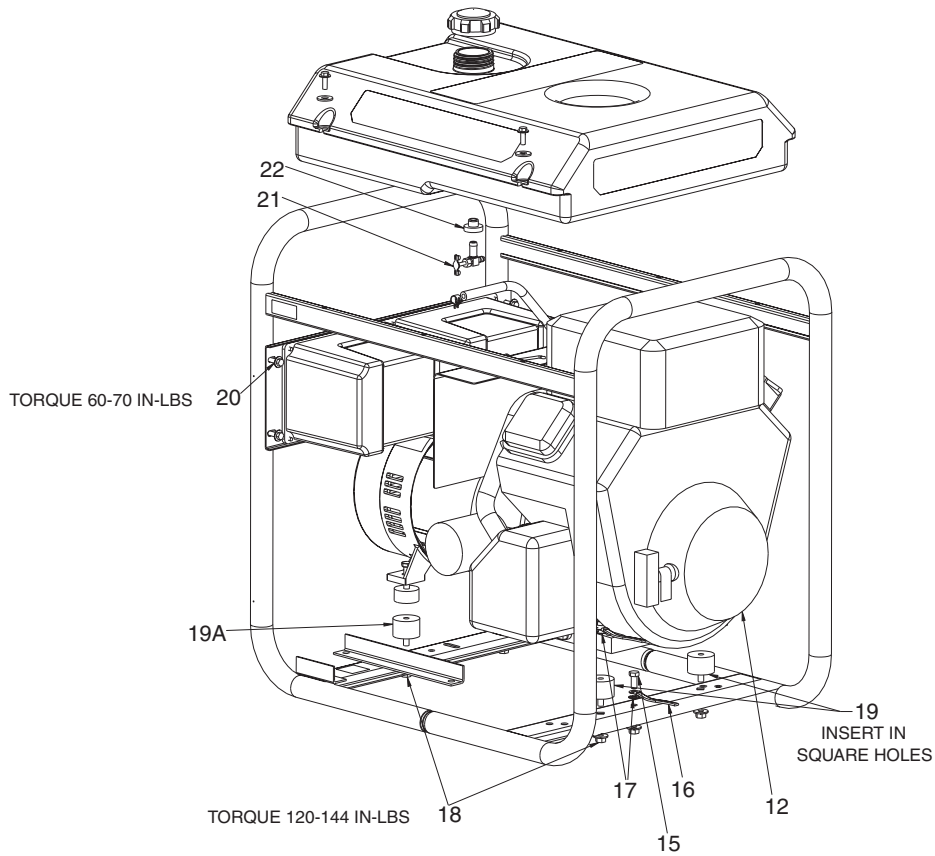


KEY

<u>KEY NO.</u>	<u>DESCRIPTION</u>	<u>PART NUMBER</u>
1	FUEL TANK SCREWS	SSF-990
2	FUEL TANK	GS-0027
3	FUEL CAP	GS-0443
4	HEAT SHIELD	GS-0030
5	FRAME ASSEMBLY	GS-0119
6	END COVER	GS-0077
7	SCREW #10-24 x 1	SSF-573
8	FUEL HOSE	GS-0225
9	FUEL LINE CLAMP	GS-0227
10	SCREW 5/16-18 UNC x 1.75	95829230
11	SCREW #10-32 x 1/2	GS-0107
12	GROUND LUG	GS-0117
13	SCREW 5/16-18UNC 2A	95829230

This model shows a typical engine drawing. Engine styles may vary.

GBV4600 (cont'd)

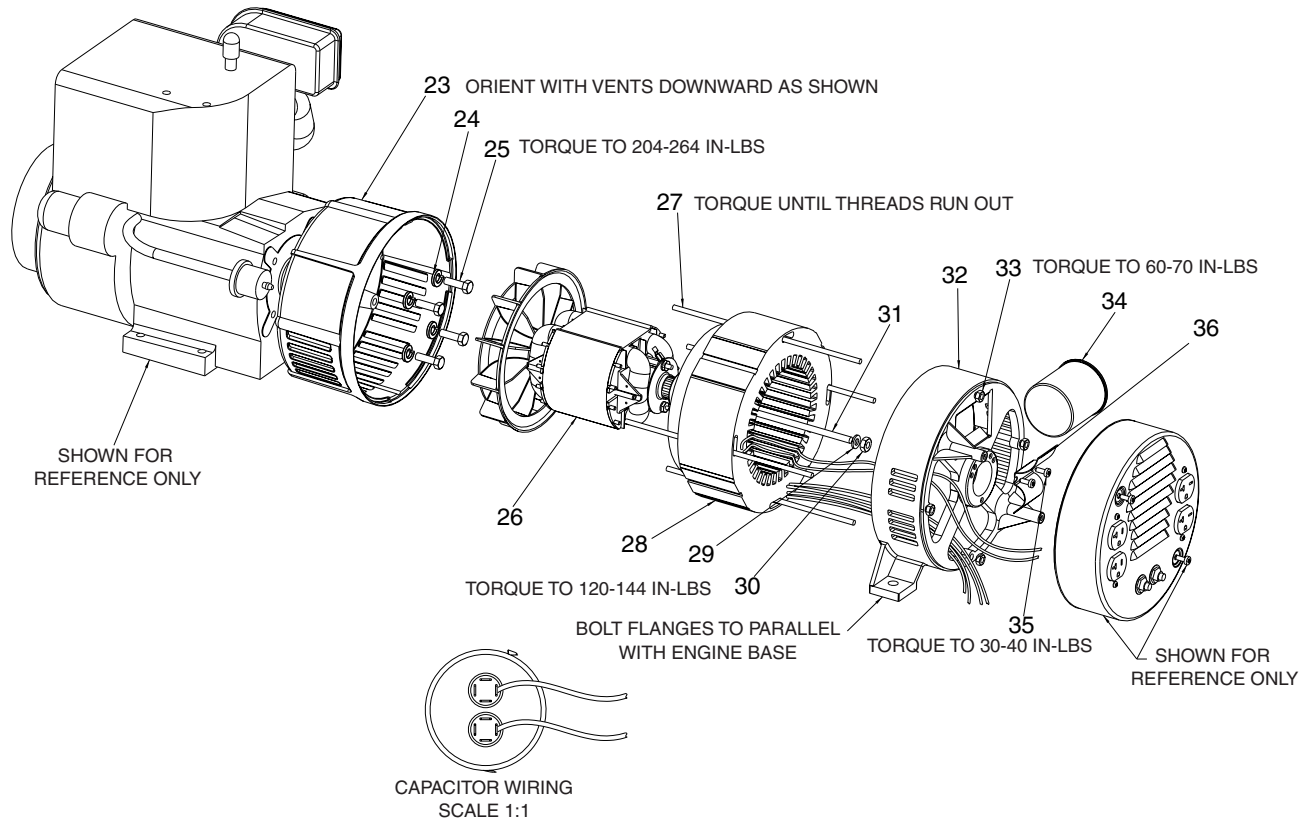


KEY

NO.	DESCRIPTION	PART NUMBER
14	ENGINE (model #185437)	-
15	SCREW 5/16-18 x 3/4	SS-12-CD
16	GROUND STRAP	GS-0118
17	LOCK WASHER	SSN-1619-ZN
18	LOCK NUT 5/16-18	SSF-8150
19	ISOLATOR	GS-0036
19A	ISOLATOR	GS-0033
20	SCREW 1/4-20 x 1/2	SSF-585
21	DRAINCOCK	GS-0456
22	DRAINCOCK GROMMET	GS-0446

This model shows a typical engine drawing. Engine styles may vary.

GBV4600 (cont'd)



**KEY
NO.**

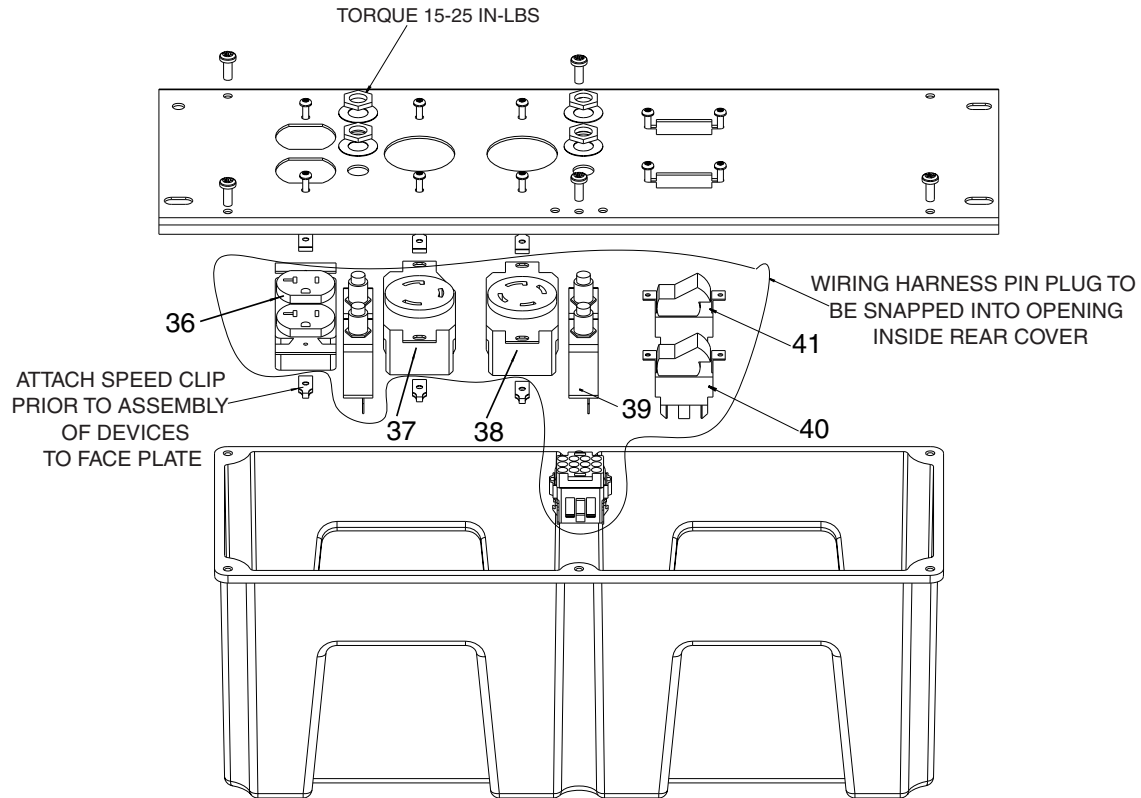
NO.	DESCRIPTION	PART NUMBER
23	DRIVE END ADAPTER	GS-0076
24	LOCK WASHER 3/8	SSN-619
25	CAP SCREW 3/8-16 x 1	SSF-577
26	ROTOR ASSEMBLY	GS-0478
27	STATOR THRU BOLT	GS-0110
28	STATOR ASSEMBLY	GS-0100-1
29	WASHER 11/16OD x 11/32	SS-6506-CD
30	NUT 5/16-24	SSF-576
31	ROTOR THRU BOLT	GS-0091
32	BEARING SUPPORT	GS-0681
33	HEX NUT 1/4-20	SSF-575
34	CAPACITOR	GS-0104
35	SCREW 10-32	SSF-553

ITEM NOT SHOWN

*DIODES	GS-0082
	GS-0081
CABLE TIE	GS-0105
BEARING COVER	GS-0106
O-RING (included in GS-0681)	GS-0862

*Refer to Page 4 in the Generator Repair Section for further **diode** information.

GBV4600 (cont'd)



KEY NO.	DESCRIPTION	PART NUMBER
36	120V DUPL. RECEPTACLE	GS-0019
37	3 PRONG TWISTLOCK	GS-0021
38	4 PRONG TWISTLOCK	GS-0022
39	CIRCUIT BREAKER	GS-0025
40	FULL POWER SWITCH	GS-0045
41	ON/OFF(ON/OFF/START)	GS-0046

Not Shown

MGP-4600	Owners Manual
GS-0114	Engine Manual