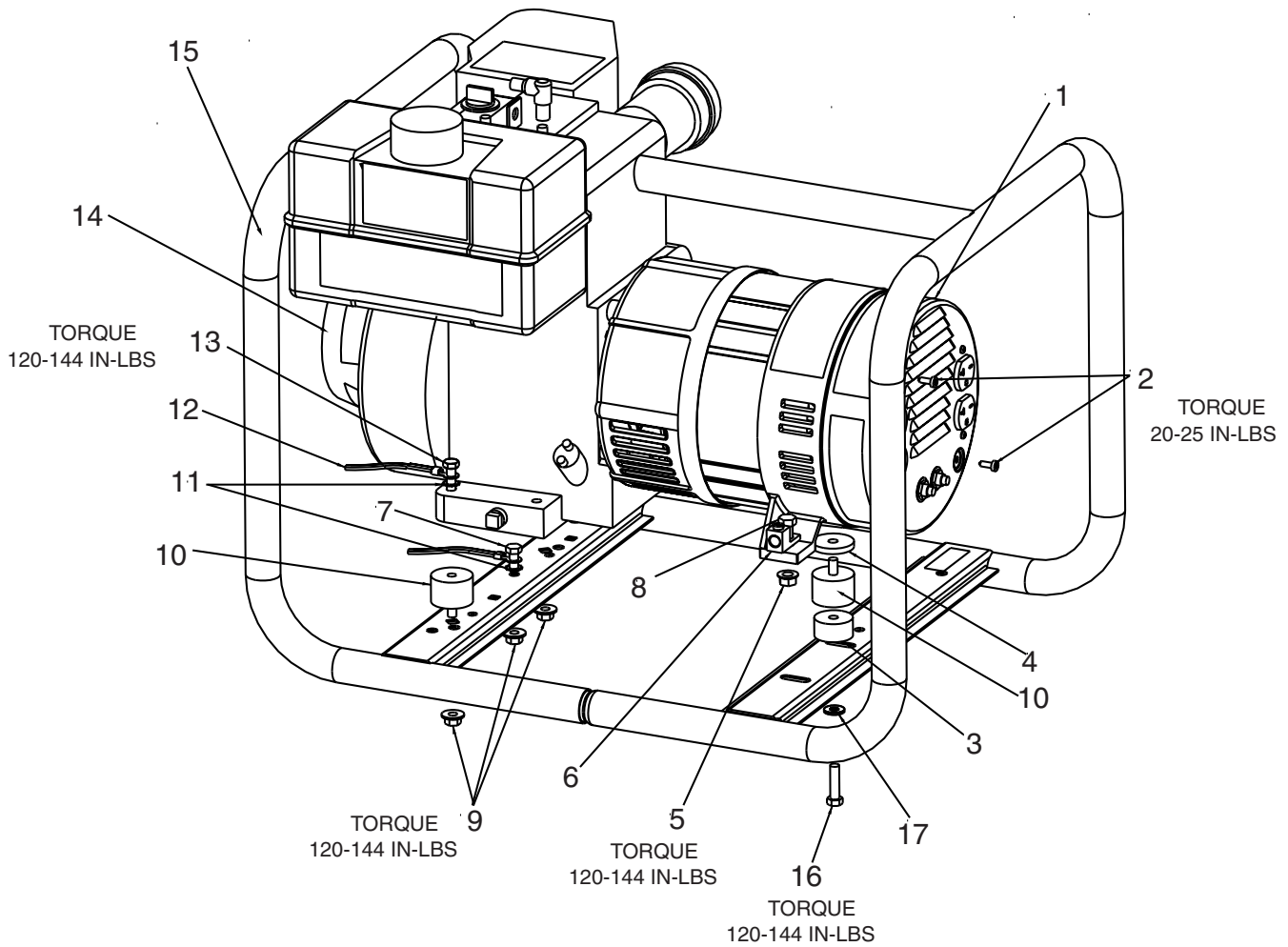


GBP4000-1



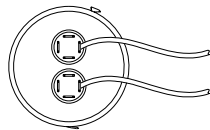
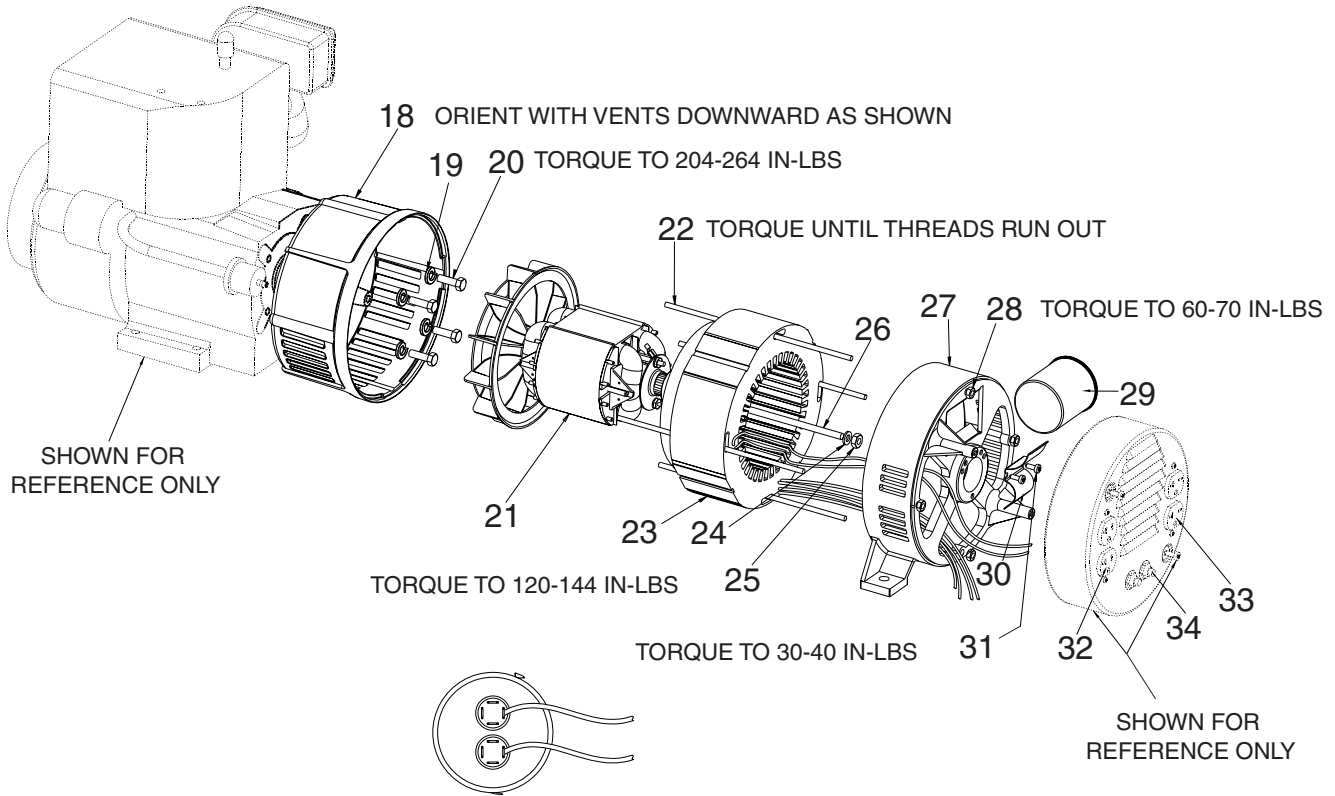
KEY NO.

KEY NO.	DESCRIPTION	PART NUMBER
1	ENDCOVER	GS-0079
2	SCREW #10-24 x 1	SSF-553-1
3	REAR ISOLATOR SPACER	GS-0492
4	WASHER 3/8	SSN-1014-ZN
5	LOCK NUT 3/8-16	SSF-8111-ZN
6	GROUND LUG	GS-0117
7	SCREW 5/16-18 x 3/4	SS-12-CD
8	SCREW 3/8-16 x 1	SSF-3140-ZN
9	LOCK NUT 5/16-18	SSF-8150
10	ISOLATORS	GS-0033
11	LOCK WASHER	SSN-1619-ZN
12	GROUND STRAP	GS-0118
13	HEX SCREW 5/26-18 x 1.7	95829230
14	ENGINE (model #192412-1005-E1)	-
15	FRAME ASSEMBLY	GS-0534
16	SCREW 3/8-16 x 3/4	SSF-605
17	WASHER	SSN-60-ZN

Not Shown

MG-GENMAN-F	Operators Manual
GEN-P4000	Parts Manual
GS-0113	Engine Manual

GBP4000-1 (cont'd)



CAPACITOR WIRING
SCALE 1:1

KEY NO.	DESCRIPTION	PART NUMBER
18	DRIVE END ADAPTER	GS-0076
19	LOCK WASHER 3/8	SSN-619
20	CAP SCREW 3/8-16 x 1	SSF-577
21	ROTOR ASSEMBLY	GS-0410-1
22	STATOR THRU BOLT	GS-0415
23	STATOR ASSEMBLY	Z-GS-0591
24	WASHER 11/16 OD x 11/32	SS-6506-CD
25	NUT 5/16-24	SSF-576
26	ROTOR THRU BOLT	GS-0419-1
27	BEARING SUPPORT	Z-GS-0861
28	HEX NUT 1/4-20	SSF-575
29	CAPACITOR	GS-0592
30	CAPACITOR BRACKET	GS-0595
31	SCREW 10-32 x 1/2	SSF-553-1
32	120V DUPL. RECEPTACLE	GS-0019
33	240V DUPL. RECEPTACLE	GS-0020
34	CIRCUIT BREAKER(15A)	Z-GS-0024

ITEM NOT SHOWN

*DIODE(S)	GS-0082
O-RING (included in GS-0681)	GS-0682

*Refer to Page 4 in the Generator Repair Section for further **diode** information.