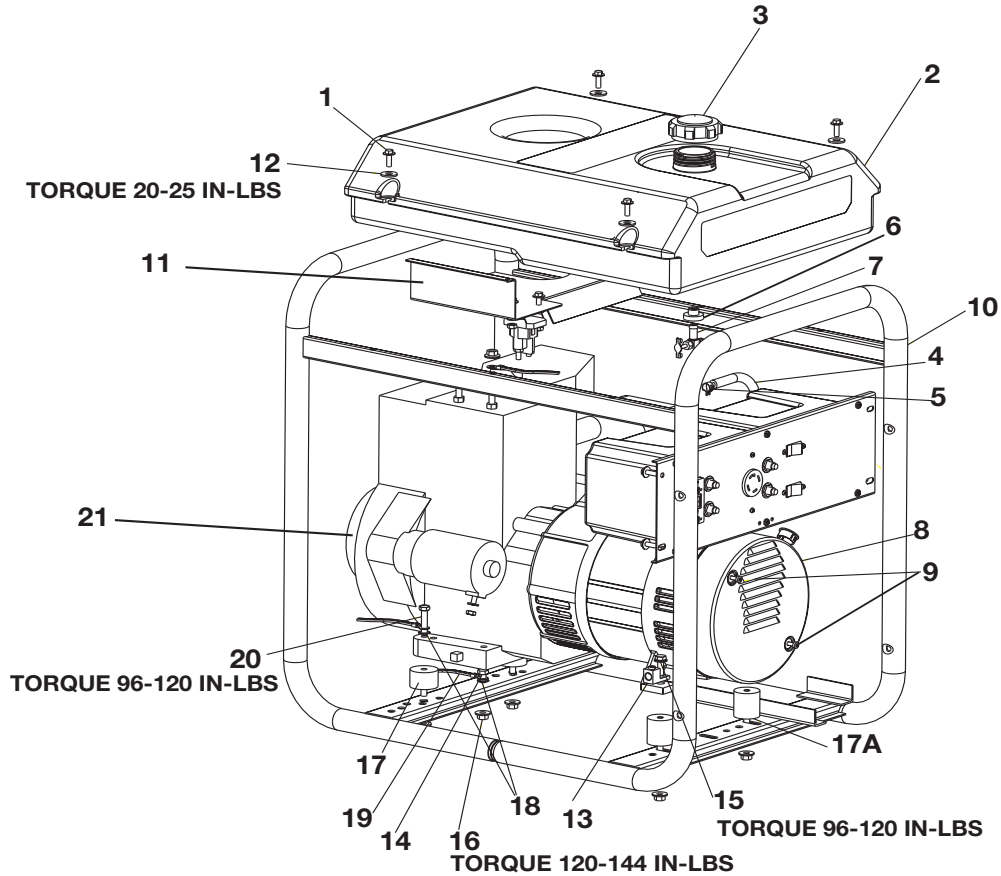


GBFE6010



KEY

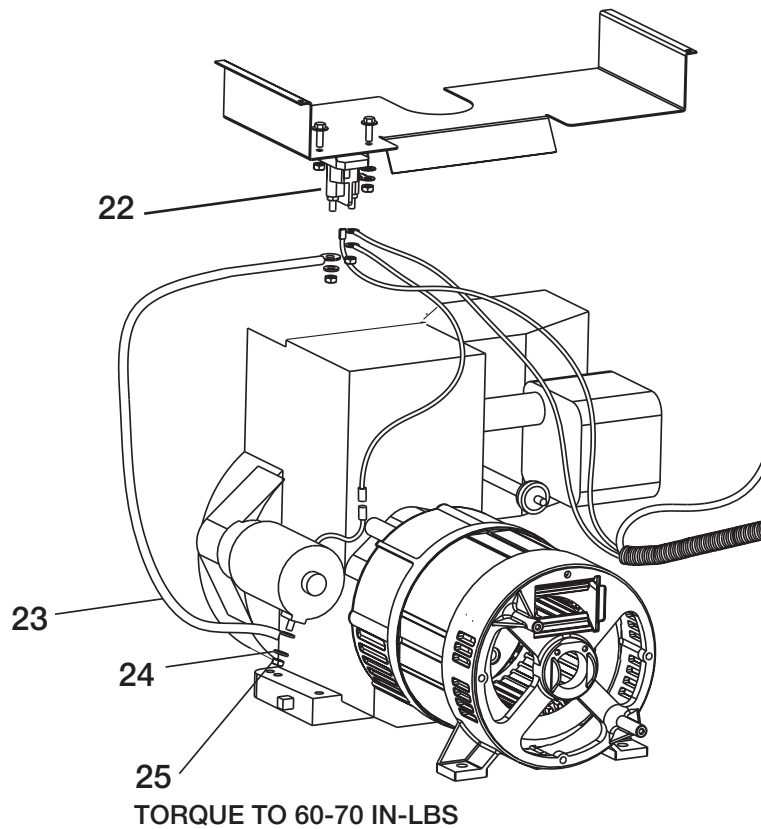
NO.

DESCRIPTION

PART NUMBER

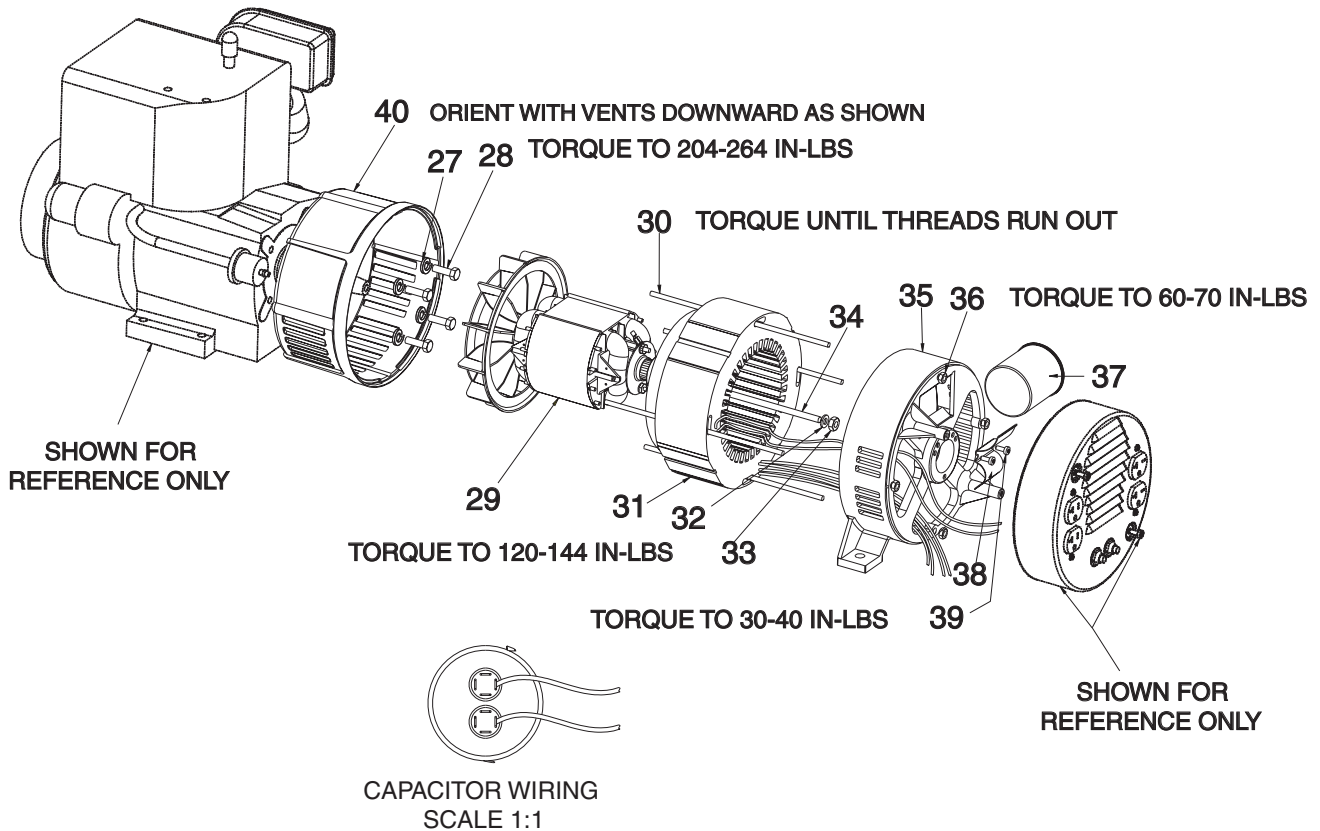
<u>NO.</u>	<u>DESCRIPTION</u>	<u>PART NUMBER</u>
1	FUEL TANK SCREWS	91895680
2	FUEL TANK	GS-0795
3	FUEL CAP	GS-0443
4	FUEL HOSE	GS-0225
5	FUEL LINE CLAMP	GS-0227
6	DRAINCOCK GROMMET	GS-0446
7	TANK DRAINCOCK	GS-0437
8	ENDCOVER	GS-0077
9	SCREW #10-24 x 9/16	SSF-553-1
10	FRAME ASSEMBLY	GS-0631
11	HEAT SHIELD	GS-0432-1
12	WASHER	SSN-632
13	GROUND LUG	GS-0117
14	SCREW, CAP 5/16-18 X 3/4	SS-12-CD
15	SCREW HEXWASHER, UNSLOTTED	SSF-928
16	LOCK NUT 5/16-18	SSF-8150
17	ISOLATOR (FRONT)	GS-0033
17A	ISOLATOR (REAR)	GS-0433
18	LOCK WASHER	SSN-1619-ZN
19	GROUND STRAP	GS-0118
20	HEX CAP SCREW 5/16-18	95829230
21	ENGINE (model #256427-1162-E1)	-

GBFE6010 (cont'd)



KEY NO.	DESCRIPTION	PART NUMBER
22	SOLENOID	GS-0545
23	SOLENOID CABLE	GS-0647
24	FLAT WASHER	SS-6506-CD
25	NUT 1/4-20 HEXKEPS	SSF-575

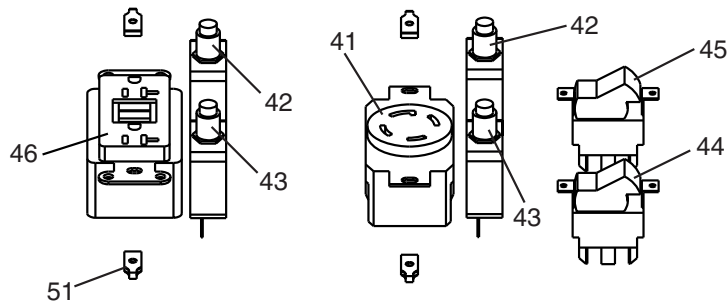
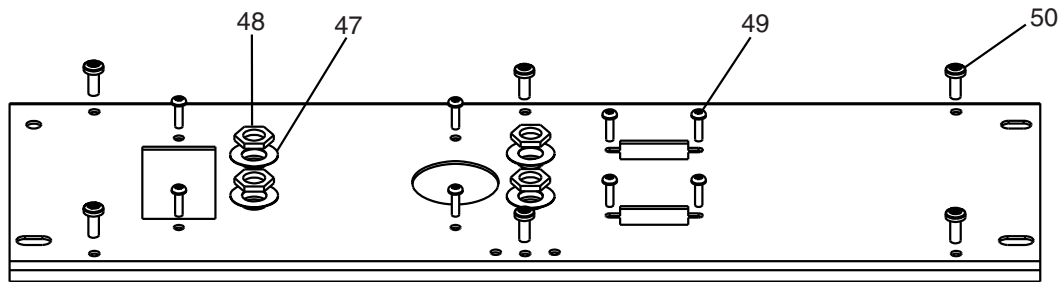
GBFE6010 (cont'd)



KEY NO.	DESCRIPTION	PART NUMBER
27	LOCK WASHER 3/8	SSN-619
28	CAP SCREW 3/8-16 x 1	SSF-577
29	ROTOR ASSEMBLY	GS-0637
30	STATOR THRU BOLT	GS-0640
31	STATOR ASSEMBLY	GS-0639
32	WASHER 11/16OD x 11/32	SS-6506-CD
33	NUT 5/16-24	SSF-576
34	ROTOR THRU BOLT	GS-0638
35	BEARING SUPPORT	GS-0681
36	HEX NUT 1/4-20	SSF-575
37	CAPACITOR	GS-0592
38	CAPACITOR BRACKET	GS-0595
39	SCREW 10-32	SSF-553
40	DRIVE END ADAPTER	GS-0076
 <u>ITEM NOT SHOWN</u>		
	*DIODES	GS-0082
	O-RING (included in GS-0681)	GS-0682

*Refer to Page 4 in the Generator Repair Section for further **diode** information.

GBFE6010 (cont'd)



ATTACH SPEED CLIP PRIOR TO
ASSEMBLY OF DEVICES TO FACE
PLATE

KEY

<u>NO.</u>	<u>DESCRIPTION</u>	<u>PART NUMBER</u>
41	4 PRONG TWISTLOCK	GS-0445
42	CIRCUIT BREAKER 20 AMP	GS-0025
43	CIRCUIT BREAKER 25 AMP	GS-0645
44	FULL POWER SWITCH	GS-0045
45	ON/OFF(ON/OFF/START)	GS-0046
46	GFCI 120 V/20AMP RECEPTACLE	GS-0644
47	SWITCH FACE PLATE RESET	GS-0207
48	NUT, HEX JAM	SSF-595
49	SCREW #6-32 x 5 TORX	SSF-583
50	SCREW 10-9 x .50 PLASTITE	SSF-3156

Not Shown

MG-GENMAN-F	Operators Manual
GEN-6010	Parts Manual
GS-0113	Engine Manual