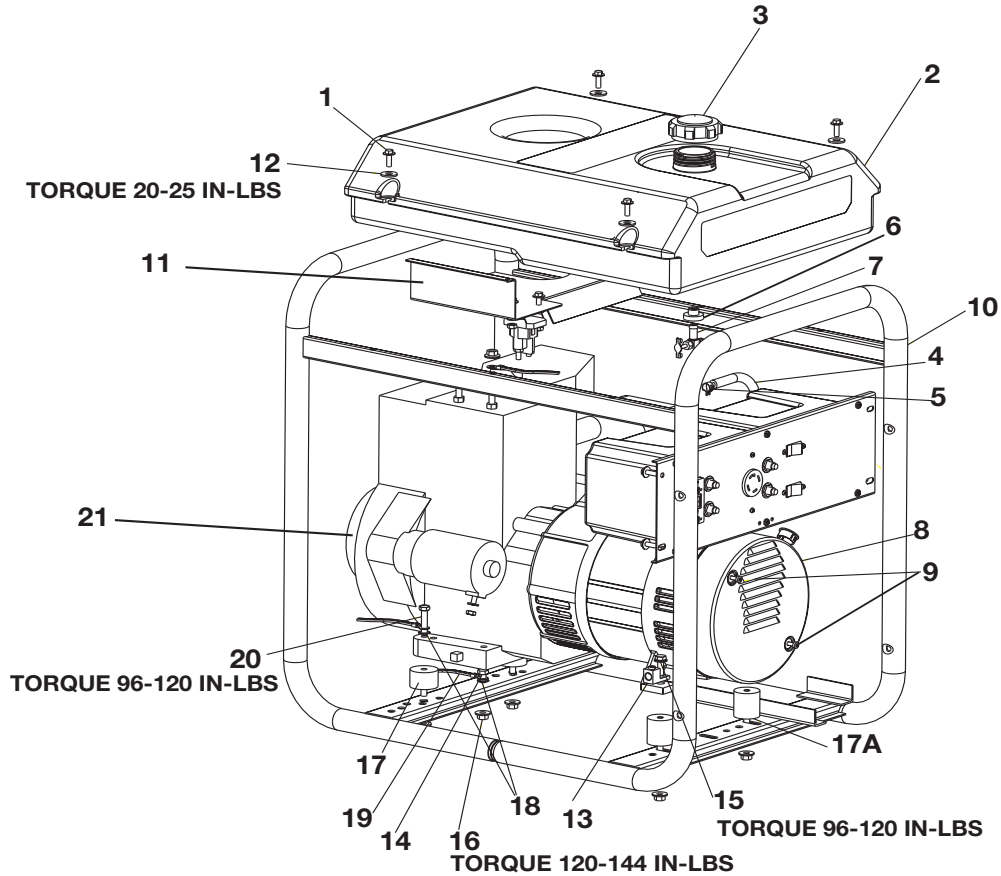


# GBFE6010-1



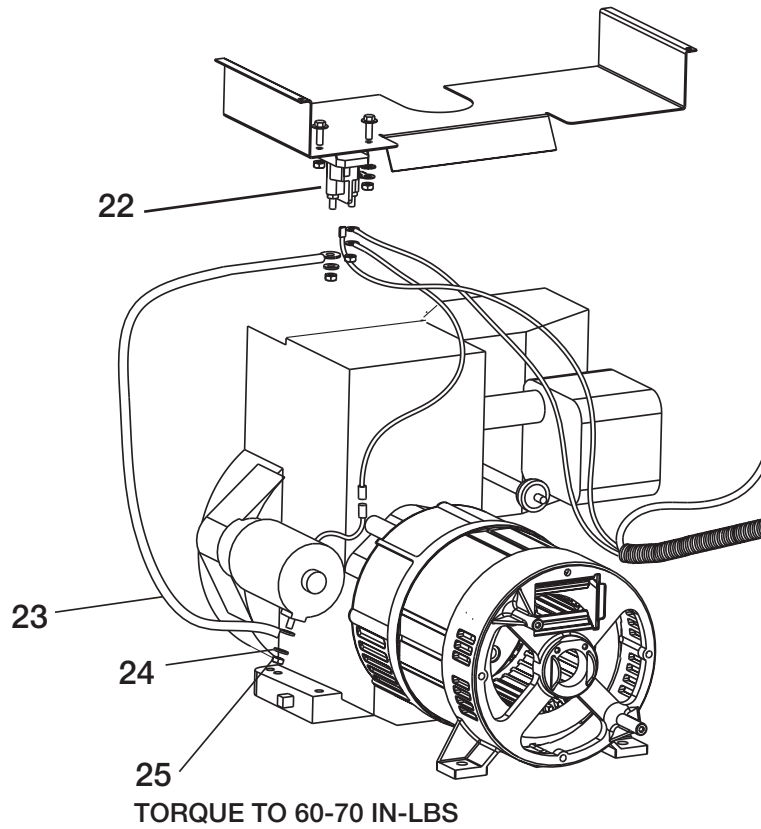
**KEY**  
**NO.**

**DESCRIPTION**

**PART NUMBER**

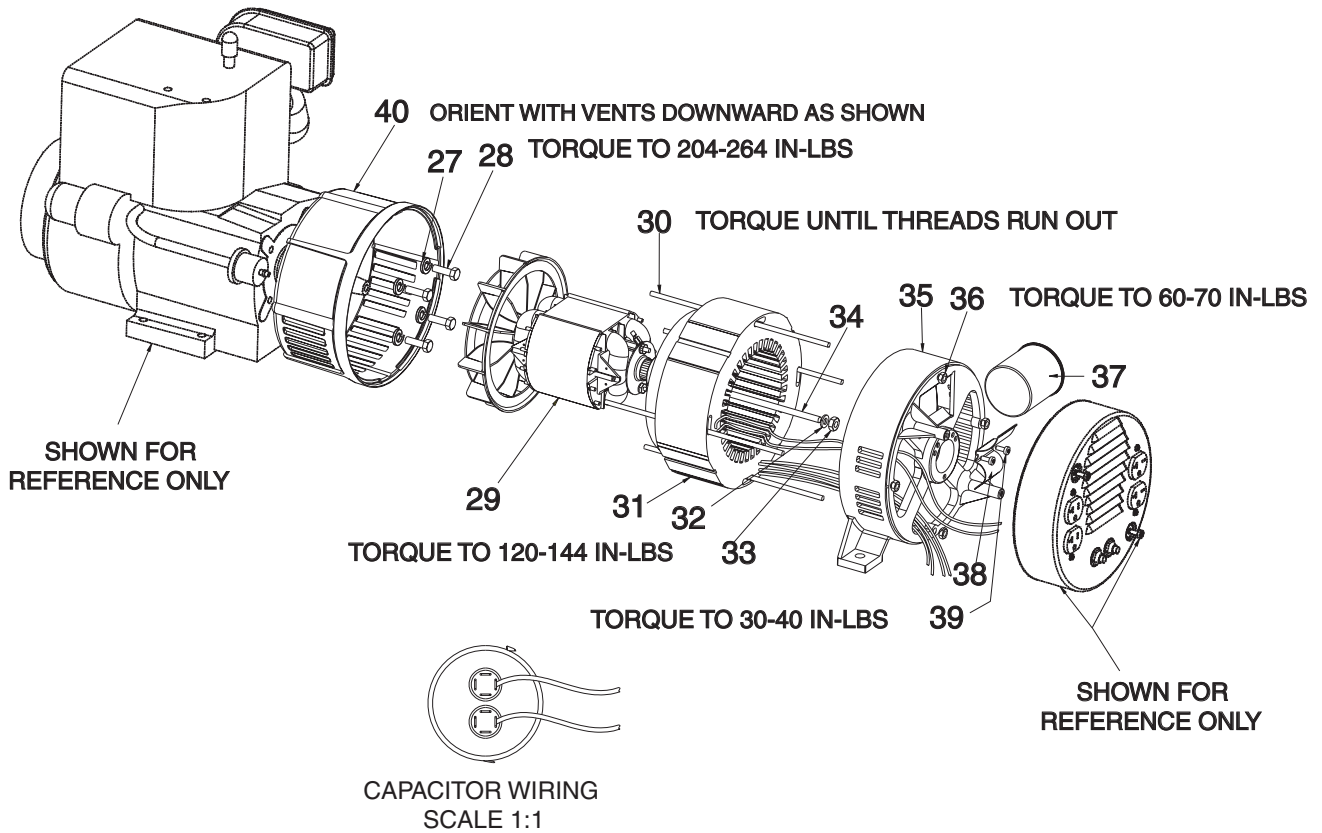
| KEY NO. | DESCRIPTION                    | PART NUMBER |
|---------|--------------------------------|-------------|
| 1       | FUEL TANK SCREWS               | 91895680    |
| 2       | FUEL TANK                      | GS-0795     |
| 3       | FUEL CAP                       | GS-0443     |
| 4       | FUEL HOSE                      | GS-0225     |
| 5       | FUEL LINE CLAMP                | GS-0227     |
| 6       | DRAINCOCK GROMMET              | GS-0446     |
| 7       | TANK DRAINCOCK                 | GS-0437     |
| 8       | ENDCOVER                       | GS-0077     |
| 9       | SCREW #10-24 x 9/16            | SSF-553-1   |
| 10      | FRAME ASSEMBLY                 | GS-0631     |
| 11      | HEAT SHIELD                    | GS-0432-1   |
| 12      | WASHER                         | SSN-632     |
| 13      | GROUND LUG                     | GS-0117     |
| 14      | SCREW, CAP 5/16-18 X 3/4       | SS-12-CD    |
| 15      | SCREW HEXWASHER, UNSLOTTED     | SSF-928     |
| 16      | LOCK NUT 5/16-18               | SSF-8150    |
| 17      | ISOLATOR (FRONT)               | GS-0033     |
| 17A     | ISOLATOR (REAR)                | GS-0433     |
| 18      | LOCK WASHER                    | SSN-1619-ZN |
| 19      | GROUND STRAP                   | GS-0118     |
| 20      | HEX CAP SCREW 5/16-18          | 95829230    |
| 21      | ENGINE (model #256427-1162-E1) | -           |

## GBFE6010-1 (cont'd)



| <b>KEY<br/>NO.</b> | <b>DESCRIPTION</b> | <b>PART NUMBER</b> |
|--------------------|--------------------|--------------------|
| 22                 | SOLENOID           | GS-0545            |
| 23                 | SOLENOID CABLE     | GS-0647            |
| 24                 | FLAT WASHER        | SS-6506-CD         |
| 25                 | NUT 1/4-20 HEXKEPS | SSF-575            |

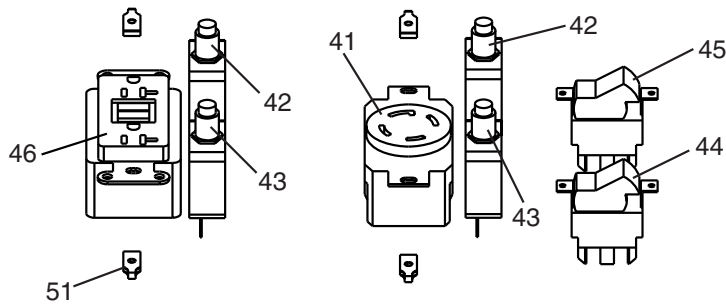
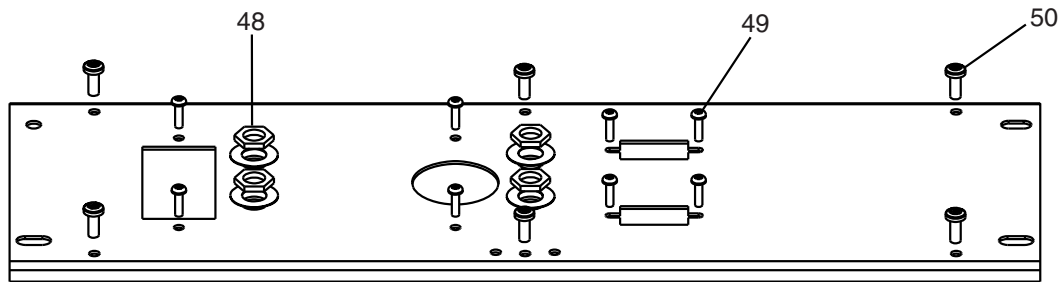
## GBFE6010-1 (cont'd)



| <b>KEY<br/>NO.</b>           | <b>DESCRIPTION</b>           | <b>PART NUMBER</b> |
|------------------------------|------------------------------|--------------------|
| 27                           | LOCK WASHER 3/8              | SSN-619            |
| 28                           | CAP SCREW 3/8-16 x 1         | SSF-577            |
| 29                           | ROTOR ASSEMBLY               | GS-0637            |
| 30                           | STATOR THRU BOLT             | GS-0640            |
| 31                           | STATOR ASSEMBLY              | GS-0639            |
| 32                           | WASHER 11/16OD x 11/32       | SS-6506-CD         |
| 33                           | NUT 5/16-24                  | SSF-576            |
| 34                           | ROTOR THRU BOLT              | GS-0638            |
| 35                           | BEARING SUPPORT              | GS-0861            |
| 36                           | HEX NUT 1/4-20               | SSF-575            |
| 37                           | CAPACITOR                    | GS-0592            |
| 38                           | CAPACITOR BRACKET            | GS-0595            |
| 39                           | SCREW 10-32                  | SSF-553            |
| 40                           | DRIVE END ADAPTER            | GS-0076            |
| <b><u>ITEM NOT SHOWN</u></b> |                              |                    |
|                              | *DIODES                      | GS-0082            |
|                              | O-RING (included in GS-0681) | GS-0682            |

\*Refer to Page 4 in the Generator Repair Section for further **diode** information.

## GBFE6010-1 (cont'd)



ATTACH SPEED CLIP PRIOR TO  
ASSEMBLY OF DEVICES TO FACE  
PLATE

### KEY

| <u>NO.</u> | <u>DESCRIPTION</u>          | <u>PART NUMBER</u> |
|------------|-----------------------------|--------------------|
| 41         | 4 PRONG TWISTLOCK           | GS-0455            |
| 42         | CIRCUIT BREAKER 20 AMP      | GS-0025            |
| 43         | CIRCUIT BREAKER 25 AMP      | GS-0645            |
| 44         | FULL POWER SWITCH           | GS-0045            |
| 45         | ON/OFF(ON/OFF/START)        | GS-0046            |
| 46         | GFCI 120 V/20AMP RECEPTACLE | GS-0644            |
| 48         | NUT, HEX JAM                | SSF-595            |
| 49         | SCREW #6-32 x 5 TORX        | SSF-583            |
| 50         | SCREW 10-9 x .50 PLASTITE   | SSF-3156           |
| 51         | NUT SPEED                   | SSF-584            |

### ITEMS NOT SHOWN

|                          |           |
|--------------------------|-----------|
| *COMPLETE PANEL ASSEMBLY | GS-0632-1 |
| **WIRE ASSEMBLY          | GS-0633-1 |

\*Includes all parts above.

\*\*Can be purchased with complete panel assembly or can be purchased separately.

### Not Shown

|             |                  |
|-------------|------------------|
| MG-GENMAN-F | Operators Manual |
| GEN-6010-1  | Parts Manual     |
| GS-0113     | Engine Manual    |